

ATZ[®]

Y Strainer

BS 2080
Flanged BS4504 / EN1092



Partner for Flow Control

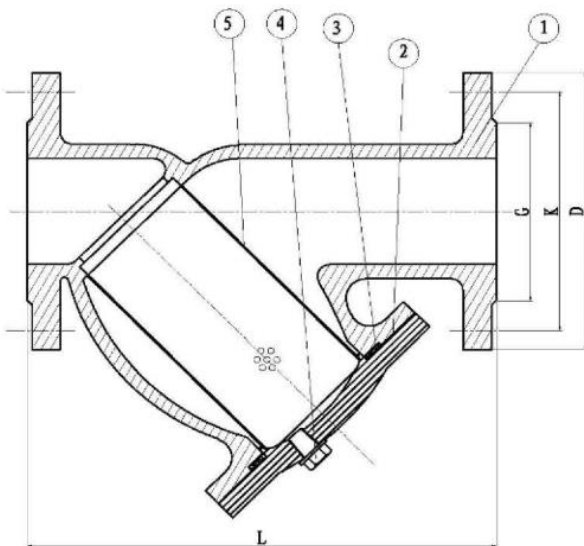
'Y' type STRAINER

BS 2080

BS4504 / EN1092 Flanged Ends

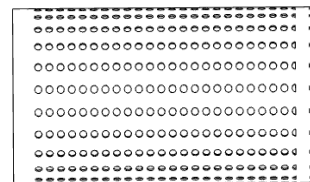


No.	PART NAME	MATERIAL	STANDARD
1	Body	GGG50	ASTM A536
2	Cover	GGG50	ASTM A536
3	Gasket	NBR	ISO 4633
4	Bolts	A2-70	ASTM A959
5	Screen	A2-70	ASTM A959



Standard Strainer Screen

- DN50-80 Mesh aperture: 2 mm
Mesh thickness: 0.8 mm
- DN100-150 Mesh aperture: 3 mm
Mesh thickness: 1 mm
- DN200-300 Mesh aperture: 5 mm
Mesh thickness: 1.2 mm



Size	Face to face (L)	END FLANGE BS4504 / EN 1092-2 PN10/16					
	BS 2080	D	K	G	f	B	n-d
DN50	220	165	125	99	3	19	4- Φ 19
DN65	270	185	145	118	3	19	4- Φ 19
DN80	290	200	160	132	3	19	8- Φ 19
DN100	350	220	180	156	3	19	8- Φ 19
DN125	390	250	210	184	3	19	8- Φ 19
DN150	440	285	240	211	3	19	8- Φ 23
DN200	540	340	295	266	3	20	8- Φ 23 / 12- Φ 23
DN250	660	395 / 405	350 / 355	319	3	22	12- Φ 23 / 12- Φ 28
DN300	720	445 / 460	400 / 410	370	4	24.5	12- Φ 23 / 12- Φ 28

'Y' type STRAINER

BS 2080

BS4504 / EN1092 Flanged Ends

ATZ®



Y STRAINER

Y type Strainer is the filtration equipment which is to prevent impurities in the flow media from flowing into the back-end equipment. The strainer is usually being installed before the Water Control Valves, Pressure Reducing Valves and other equipments sensitive to medium cleanliness in order to prevent particulate impurities entering into the back-end equipment to ensure the normal operation of the back-end equipment. The screen superficial area is 4 times of the relative area, so as to achieve a low flow resistance, which ensures the screen from deformation when the differential pressure in the pipeline is too large. Mesh of the screen can be changed according to customer requirements.

Features:

- Face to face: BS 2080
 - Flanges: BS4504 / EN 1092-2 PN10/16
 - Pressure Rate: PN10/16
 - Hydraulic pressure test to 1.5 x PN
 - Coating: Fusion bonded epoxy coating
 - Medium: Neutral water, Drinking water, Sewage
 - Temperature Range: 0°C - 80°C
-
- Bonnet and cover bolts are in A2-70 (AISI 304),
 - Coating - Electrostatically applied fusion bonded epoxy coating inside & outside for excellent corrosion resistance. Standard color RAL 5005, other colors upon request.
 - Designed and built to widely recognized standards.
 - 100% testing before packing and delivery



1. For long-term storage Y Strainer should be placed in a cool dry place, not allow to be stored or stacked in the open air.

2. Installation:

(1) Check whether the working condition is matched with the strainer pressure, temperature, corrosion resistance or not before installation;

(2) Attention should be paid that the flow direction of the medium should be in line with the arrow direction on the valve body when installing the strainer;

(3) Both sides of the flange connections must be parallel and coaxial;

(4) Check all the fasteners are loose, damaged or not;

(5) Fasten the flange bolts symmetrically and alternately;

(6) The daily sewage treatment can be done as long as removing the sewage bolts;

(7) After long-term use by extracting the sewage cover can do the filter for cleaning and remove the retained impurities on the screen.