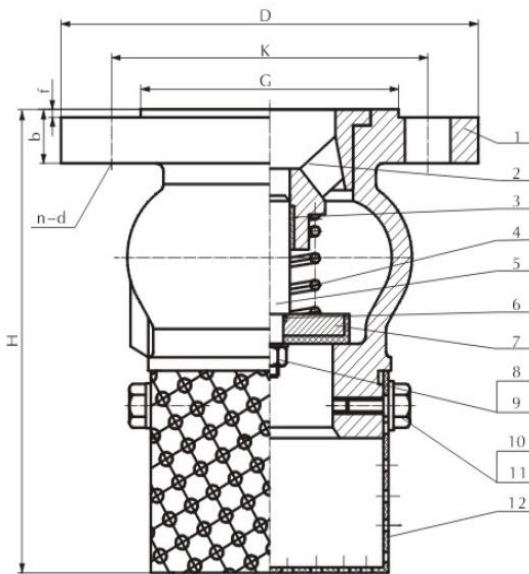


ATZ IRON VALVES

FOOT VALVE

FLANGED CONNECTION



Item	Part Name	Material
1	Body	Cast iron
2	Bonnet	Cast iron
3	Bushing	Brass
4	Spring	65Mn
5	Guiding stem	Stainless steel
6	O-Ring	NBR
7	Disc	di+epdm
8	Nut	Carbon steel
9	Washer	Carbon steel
10	Nut	Carbon steel
11	Washer	Carbon steel
12	Sleve	Stainless steel

DN	H	L	K		G		f	B		n-d	
			PN10	PN16	PN10	PN16		PN10	PN16	PN10	PN16
40	143	150	110		84		3	18	18	4-19	4-19
50	165	165	125		99		3	20	20	4-19	4-19
65	201	185	145		118		3	20	20	4-19	4-19
80	221	200	160		132		3	22	22	8-19	8-19
100	265	220	180		156		3	24	24	8-19	8-19
125	300	250	210		184		3	26	26	8-19	8-19
150	360	285	240		211		3	26	26	8-23	8-23
200	470	340	295		266		3	26	30	8-23	12-23
250	568	405	350	355	319		3	28	32	12-23	12-28
300	658	460	400	410	370	370	4	28	32	12-23	12-28